

EDINS

08-36 96 00

EDINS ERBJUDER EN BREDD NÄR DET GÄLLER LYFTET

Vi tillhandahåller allt från små till stora mobilkranar, kranbilar, lastbilar, byggkranar och bygghissar. Hos oss hittar du också arbetskorgar, gipsväggar, betongbask, speciella lyfttillbehör, m.m.

Stor kompetens och mångårig erfarenhet

Våra maskinister har stor kompetens och mångårig erfarenhet. Inget arbete kan vara på fel tidpunkt, vi är verksamma hela dygnet.

Planering och projektering

Vi hjälper er gärna med planering och projektering av lyftet, så som lyfttillstånd, transporter, besiktning av arbetsplatsen, etc.

Välkommen att höra av dig till oss!

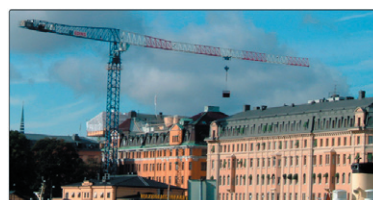
Vi berättar gärna mer om våra lyftmöjligheter.



Kranbilar
Lyfter 33 meter



Bygghissar
Kuggstång och hydrag



Byggkranar
30-80 meter lyftradie



Mobilkranar
Lyftkapacitet 10-250 ton

Bo Edin Kranar AB

Äggelundavägen 5

175 62 Järfälla

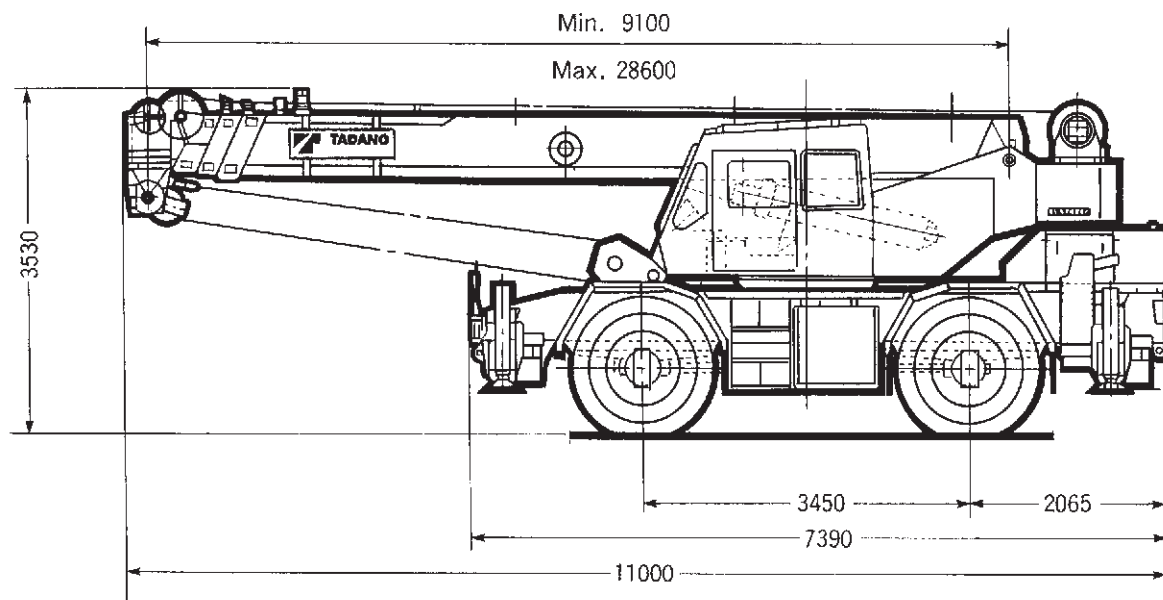
Telefon 08-36 96 00

Fax 08-761 42 42

E-post: info@edinskrantar.se

Webb: www.edinskrantar.se

DIMENSIONS

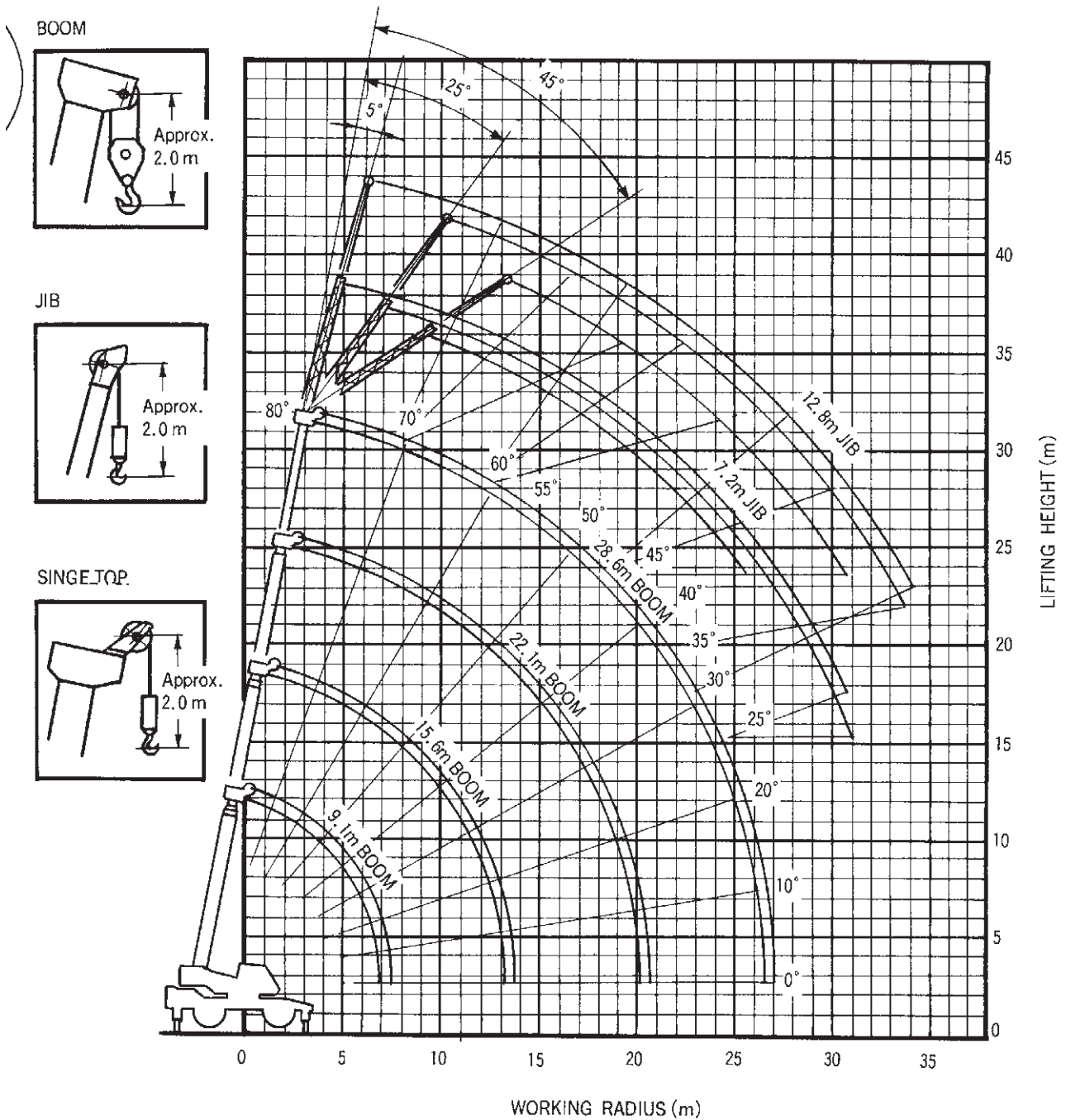


Overall width.....2,620 mm
 Tail swing radius.....3,335 mm

Tread(track) – Front.....2,140 mm
 – Rear2,140 mm

WORKING RADIUS-LIFTING HEIGHT

SPEC. SHEET No.
TR-300E-2-00201/EU-21



TOTAL RATED LOADS

SPEC. SHEET No. TR-300E-2-00201/EU-21

DIN 15019.2-75%

ON OUTRIGGERS

Unit : kg

B	A	Outriggers fully extended (360°)																
		7.2m				12.8m												
		9.1m	15.6m	22.1m	28.6m	5°		25°		45°		5°		25°		45°		
3.0m	30,000	19,200			80°	3,000	2,000	1,400	2,000	1,000	650							
3.5m	25,000	19,200	12,500		75°	3,000	2,000	1,400	2,000	1,000	650							
4.0m	23,000	19,200	12,500	8,000	70°	2,900	2,000	1,400	1,650	1,000	650							
4.5m	21,200	18,100	12,500	8,000	65°	2,350	1,750	1,400	1,400	900	650							
5.0m	19,400	17,000	12,500	8,000	60°	1,950	1,500	1,350	1,200	850	650							
5.5m	17,900	15,800	12,000	8,000	55°	1,600	1,350	1,200	1,000	750	620							
6.0m	16,300	14,700	11,500	8,000	50°	1,350	1,200	1,100	900	700	600							
6.5m	15,100	13,800	11,000	8,000	45°	1,050	1,000	1,000	750	650	550							
7.0m		12,900	10,500	8,000	40°	850	800		650	550								
7.5m		12,000	9,900	7,500	35°	600	600		450	400								
8.0m		10,700	9,400	7,100	30°	450	450		350									
9.0m		8,400	8,400	6,400	25°	350	350											
10.0m		6,850	7,500	5,800														
11.0m		5,600	6,400	5,350														
12.0m		4,750	5,400	4,900														
13.0m		4,050	4,600	4,550														
14.0m			4,000	4,200														
15.0m			3,450	3,850														
16.0m			3,000	3,450														
17.0m			2,650	3,050														
18.0m			2,350	2,650														
19.0m			2,050	2,400														
20.0m				2,100														
22.0m				1,700														
24.0m				1,300														
26.0m				1,000														

- A : Boom length
- B : Working radius
- C : Jib length
- D : Jib offset
- E : Boom angle

NOTES FOR "ON OUTRIGGERS" TABLE

- Total rated loads shown in the table are based on condition that crane is set on firm level surface. Those above bold lines are based on crane strength and those below, on its stability.
- Total rated loads below bold lines do not exceed 75 % of tipping load.
- The weight of the hook (350 kg for 30 ton capacity, 60 kg for 3 ton capacity), slings and all similarly used load handling devices must be added to the weight of the load.

- For total rated load of single top, reduce the 250 kg from the relevant boom level total rated load. Total rated load of single top should not exceed 3,000 kg.
- Standard number of part lines for each boom length is as shown below. Load per line should not surpass 3,200 kg for main winch and 3,000 kg for auxiliary winch.

Boom length (m)	9.1 m	15.6 m	22.1 m	28.6 m	Jib	Single top
No. of part lines	10	6	4	4	1	1

DIN 15019.2-75%

ON TIRES

Unit : kg

B	A	Stationary						Creep					
		Over front			360°			Over front			360°		
		9.1m	15.6m	22.1m	9.1m	15.6m	22.1m	9.1m	15.6m	22.1m	9.1m	15.6m	22.1m
3.0m		14,000	9,000		9,000	7,300		10,500	7,500		7,000	5,100	
3.5m		14,000	9,000	6,500	7,800	7,300	4,500	10,500	7,500	5,500	6,300	5,100	3,200
4.0m		12,500	9,000	6,500	6,600	6,100	4,500	9,500	7,500	5,500	5,600	4,900	3,200
4.5m		10,900	9,000	6,500	5,500	5,100	4,500	8,700	7,500	5,500	4,800	4,400	3,200
5.0m		9,800	8,200	6,500	4,600	4,300	4,300	8,000	7,000	5,500	4,000	3,800	3,200
5.5m		8,700	7,500	6,100	3,850	3,600	3,900	7,100	6,400	5,250	3,400	3,200	3,100
6.0m		7,600	6,800	5,750	3,200	3,000	3,450	6,150	5,900	5,000	2,800	2,650	2,900
6.5m		6,600	6,200	5,400	2,650	2,500	3,000	5,300	5,300	4,750	2,350	2,200	2,650
7.0m			5,600	5,050		2,050	2,650		4,900	4,450		1,800	2,350
8.0m			4,500	4,400		1,500	2,000		3,900	3,900		1,300	1,750
9.0m			3,500	3,800		1,000	1,500		3,100	3,400		850	1,300
10.0m			2,750	3,250		650	1,100		2,400	2,900			950
11.0m			2,200	2,700			800		1,950	2,400			700
12.0m			1,800	2,250					1,550	2,000			
13.0m			1,450	1,850					1,150	1,700			
14.0m				1,500						1,300			
15.0m				1,250						1,100			
16.0m				1,050						900			
17.0m				850						750			
18.0m				700						600			

A : Boom length B : Working radius

to be continued.