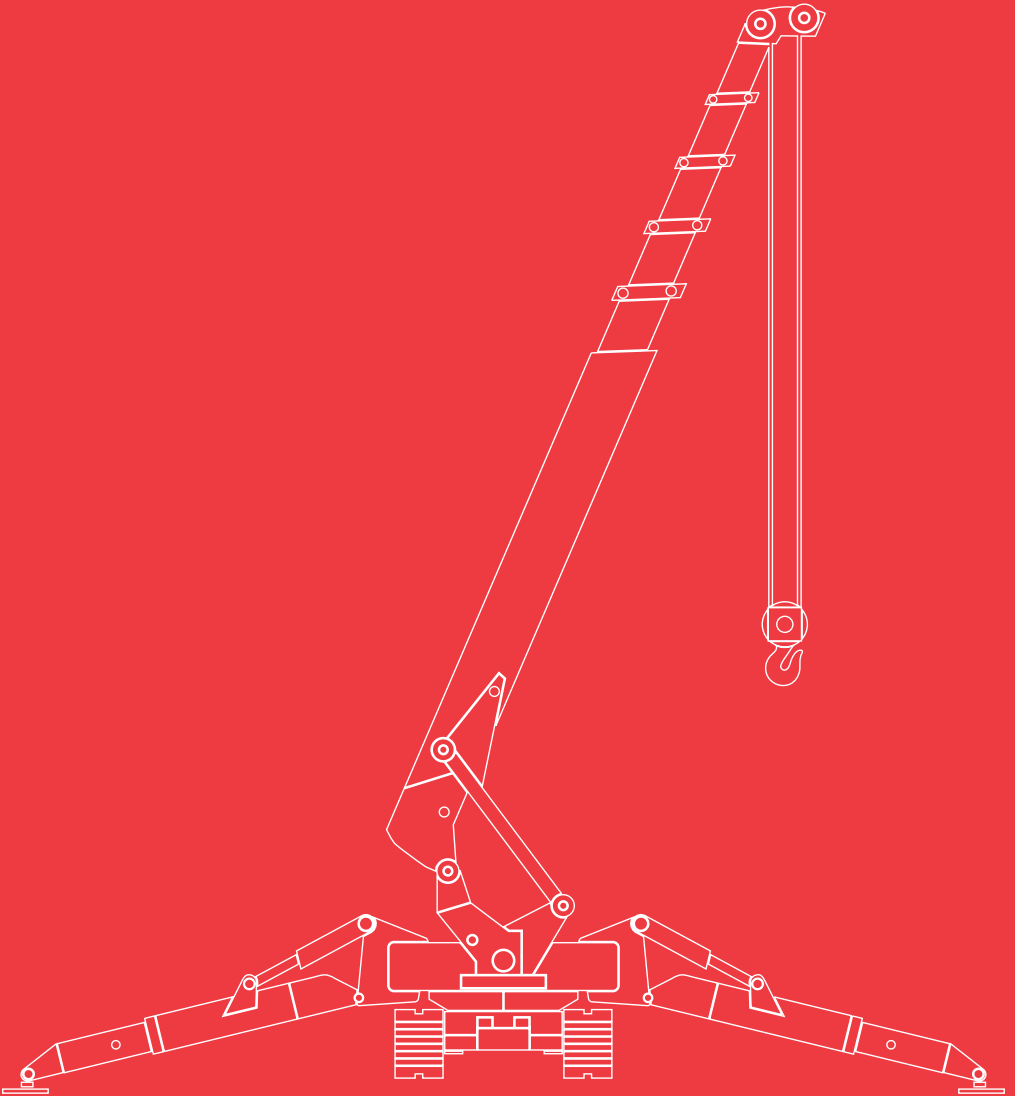


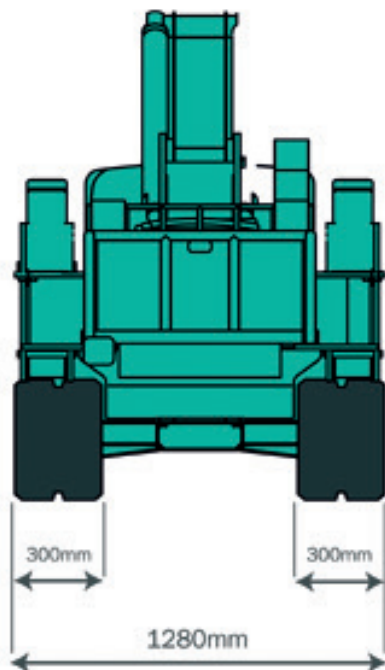
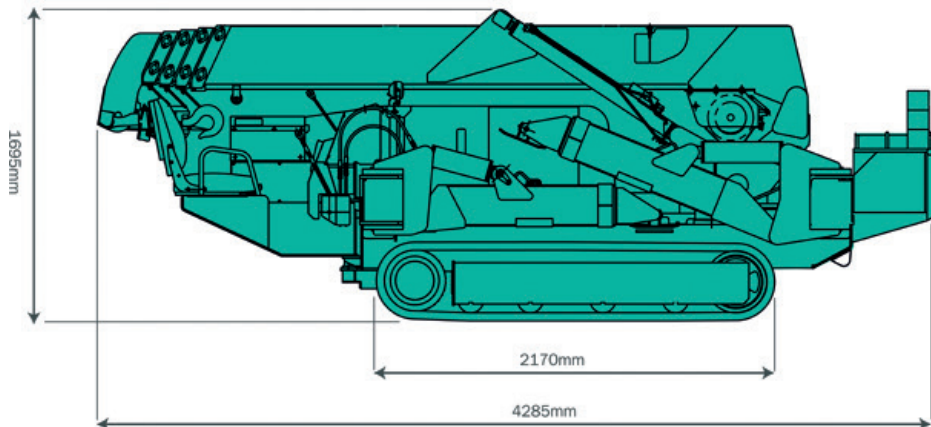
MINIKRANAR

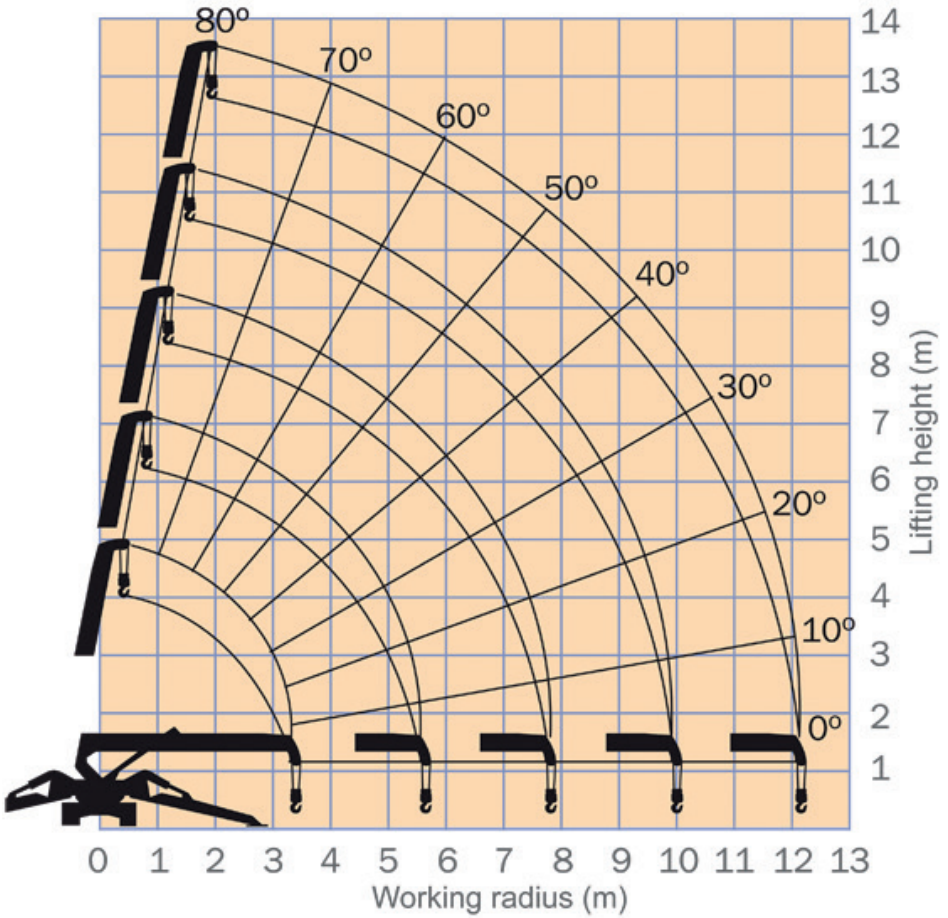


EDINS
08-36 96 00

**Maeda
MC305**

Totalvikt 4040 kg





Total rated load Outriggers at Maximum position

5.945m boom		8.145m boom		10.315m boom		12.485m boom	
Working radius (m)	Total rated load (kg)	Working radius (m)	Total rated load (kg)	Working radius (m)	Total rated load (kg)	Working radius (m)	Total rated load (kg)
< 2.5	2980	2.7	2270	4.0	1080	< 4.5	790
3.0	2390	3.0	2120	4.5	985	5.0	660
3.5	1990	3.5	1680	5.0	880	6.0	520
4.0	1710	4.0	1440	6.0	770	7.0	430
4.5	1490	4.5	1260	7.0	670	8.0	380
5.0	1340	5.0	1110	8.0	570	9.0	340
5.62	1160	5.5	990	9.0	500	10.0	310
		6.0	880	9.99	435	11.0	280
		7.0	730			12.16	260
		7.82	630				

Total rated load Outriggers at Intermediate position

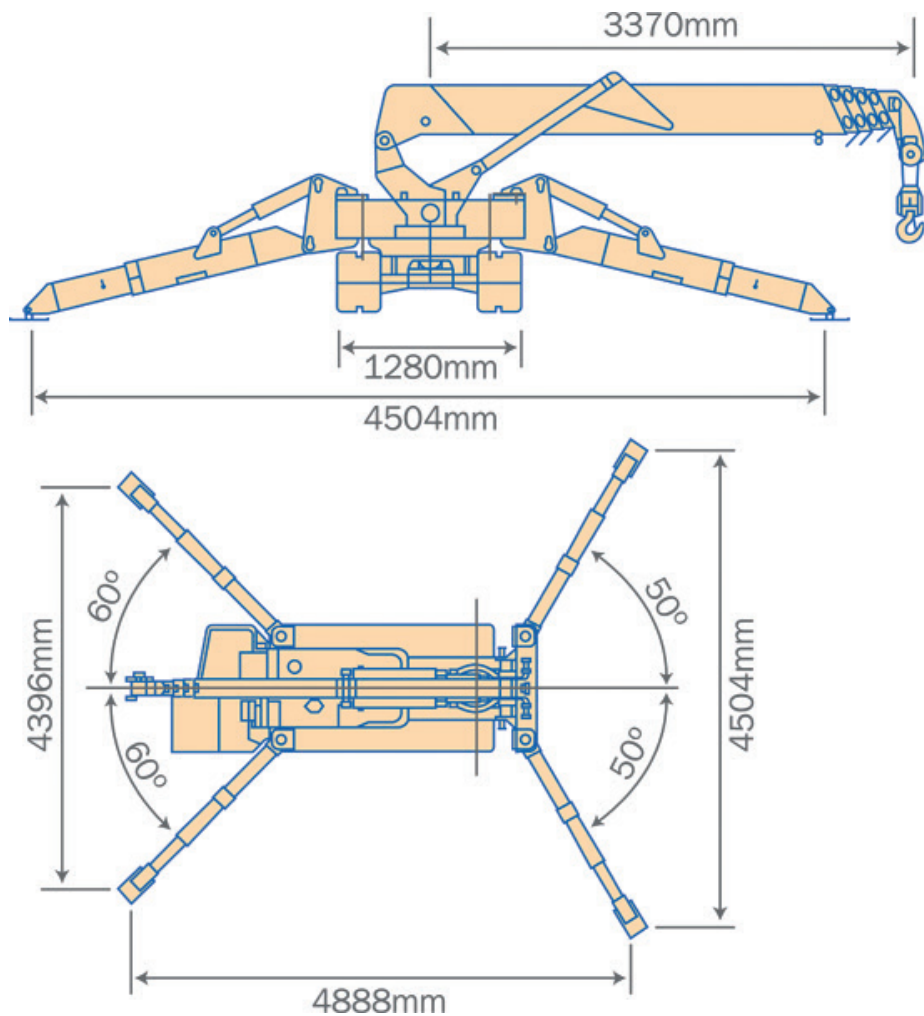
5.945m boom		8.145m boom		10.315m boom		12.485m boom	
Working radius (m)	Total rated load (kg)	Working radius (m)	Total rated load (kg)	Working radius (m)	Total rated load (kg)	Working radius (m)	Total rated load (kg)
< 2.5	2980	2.7	2270	4.0	1060	< 4.5	780
3.0	2390	3.0	2090	4.5	950	5.0	650
3.5	1960	3.5	1680	5.0	860	6.0	500
4.0	1680	4.0	1420	6.0	750	7.0	410
4.5	1380	4.5	1240	7.0	630	8.0	360
5.0	1140	5.0	1070	8.0	490	9.0	320
5.62	950	5.5	950	9.0	410	10.0	290
		6.0	800	9.99	350	11.0	260
		7.0	610			12.16	250
		7.82	520				

Total rated load Outriggers at Minimum position

5.945m boom		8.145m boom		10.315m boom		12.485m boom	
Working radius (m)	Total rated load (kg)	Working radius (m)	Total rated load (kg)	Working radius (m)	Total rated load (kg)	Working radius (m)	Total rated load (kg)
< 2.5	2980	2.7	2270	4.0	1060	< 4.5	780
3.0	2350	3.0	2090	4.5	950	5.0	650
3.5	1800	3.5	1680	5.0	860	6.0	500
4.0	1430	4.0	1370	6.0	680	7.0	410
4.5	1140	4.5	1120	7.0	530	8.0	360
5.0	950	5.0	910	8.0	420	9.0	320
5.62	790	5.5	790	9.0	340	10.0	290
		6.0	670	9.99	300	11.0	240
		7.0	510			12.16	210
		7.82	430				

EDINS
08-36 96 00

Maeda
MC305



MINIKRANAR