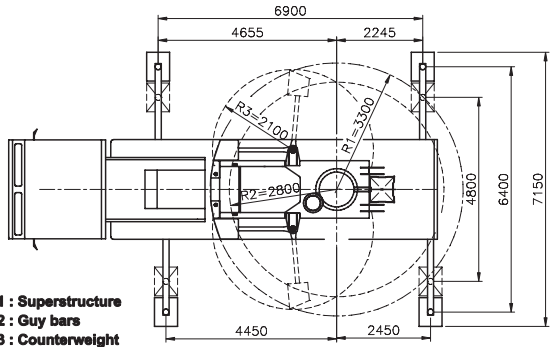


Changes subject to modifications

Outrigger support base	
Max. outrigger force	300 kN
Outrigger support pads	750x600 mm
Ground pressure	0,67 N/mm ²
Outrigger support plates	1000x1000 mm
Surface	1,00 m ²
Ground pressure	0,30 N/mm ²



R1 : Superstructure
R2 : Guy bars
R3 : Counterweight



Make: SPIERINGS Type: SK377-AT3

Crane specification

Serial number: **377072**
 Year of construction: **2008**

Crane group : 3 as per NEN 2018
 Loadspectrum : 2 as per NEN 2018
 Classification : A as per NEN 2018
 Stability : as per NEN 2022

Max. load : **7,5 tonne**
 Max. radius with max. load : **10,4 m**
 Max. capacity : **78 tm**

Max. jib length : **33 m**

Speeds

Jib horizontal/ jib 30° luffed	kg
m/min	7500
	3750
	1875
	0

0 - 70 m/min
0 - 1 rpm

All motions with hydraulic proportional controls
 Luffing the jib 30° can be controlled from crane cab or via remote control

Crane can be driven in its erected position under special conditions (refer user guide).

Rated lifting capacity is net capacity

Crane equipped with full counterweight: 5700kg

Continues slewing (360°) with outriggers out and support pads down.

2 Outriggers support bases: according to lifting chart

Operation allowed up to wind force 8 BF (17 m/sec).

Sail area of the load max. 1,2 m² / tonne at a windforce of 7 on the Beaufortscale.

Operating temperature range from -15° to 40° C.

Max. line pull force 3750 kg; in all cases 2 parts of line

The crane should be folded in at a windforce of 9 BF (21m/sec) or when not in use for a longer period

Changes subject to modifications

LIFTING CHART Outrigger support base 6,90 m x 6,40 m

Jib horizontal	Hookheight 20 m (height under jib 21,9 m)										Radius (m)
3,5	10,4	15	20	25	30	33					
7500	7030	5745	4845	4175	3685	3255	2825	2420	2050	1900	
	7500	6325	5280	4480	3905	3450	3080	2780	2530	2315	2130
											1975

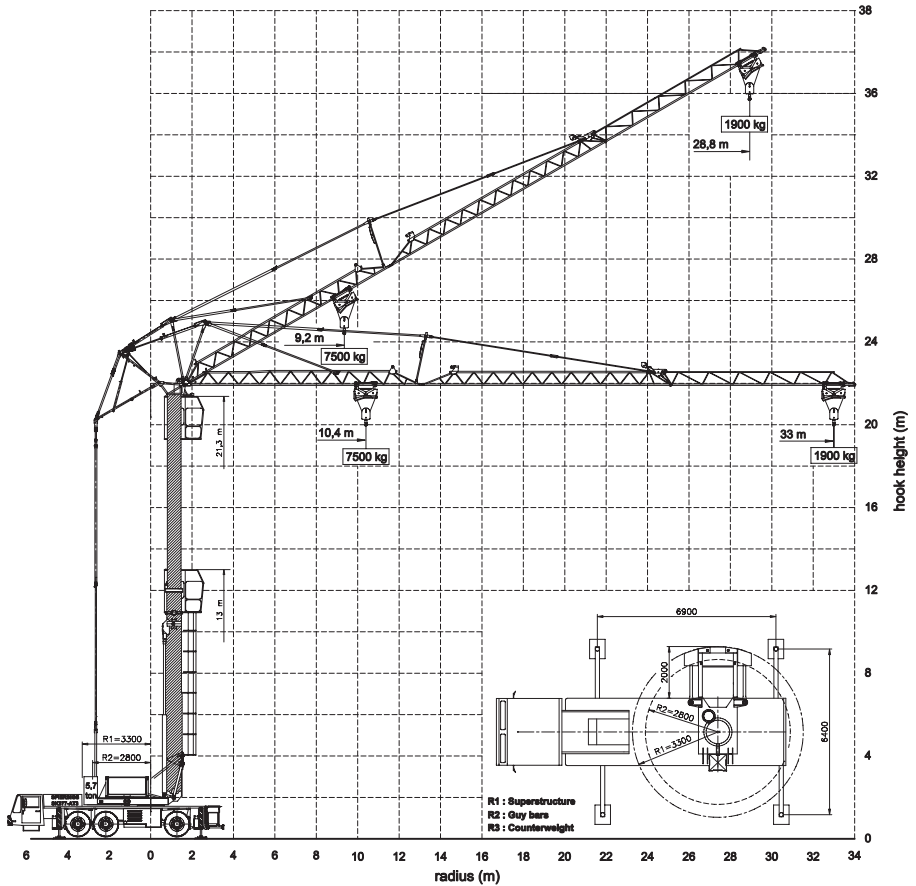
Jib 30° luffed	Hookheight (m)										Hookheight (m)
24,4	27,7	30,6	33,5	35,7							
3,5	9,2	10	15	20	25	28,8					
7500	7500	6050	4935	4155	3580	3135	2780	2495	2255	2055	1900
		6808	5440	4515	3845	3340	2945	2630	2370	2150	1965

LIFTING CHART Outrigger support base 6,90 m x 4,80 m

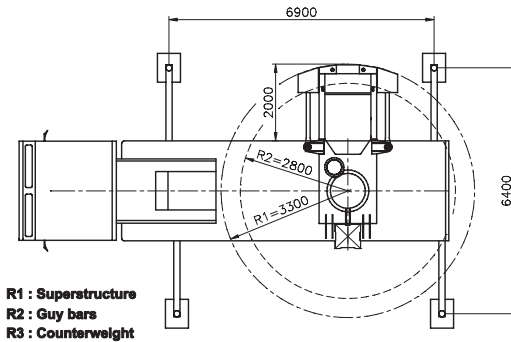
Jib horizontal	Hookheight 20 m (height under jib 21,9 m)										Radius (m)
3,5	7,8	10	15	20	25	30	33				
7500	6250	4880	3855	3320	2850	2490	2205	1970	1775	1615	1555
	7500	5470	4365	3610	3070	2680	2340	2080	1870	1680	1540
											1415
											1300

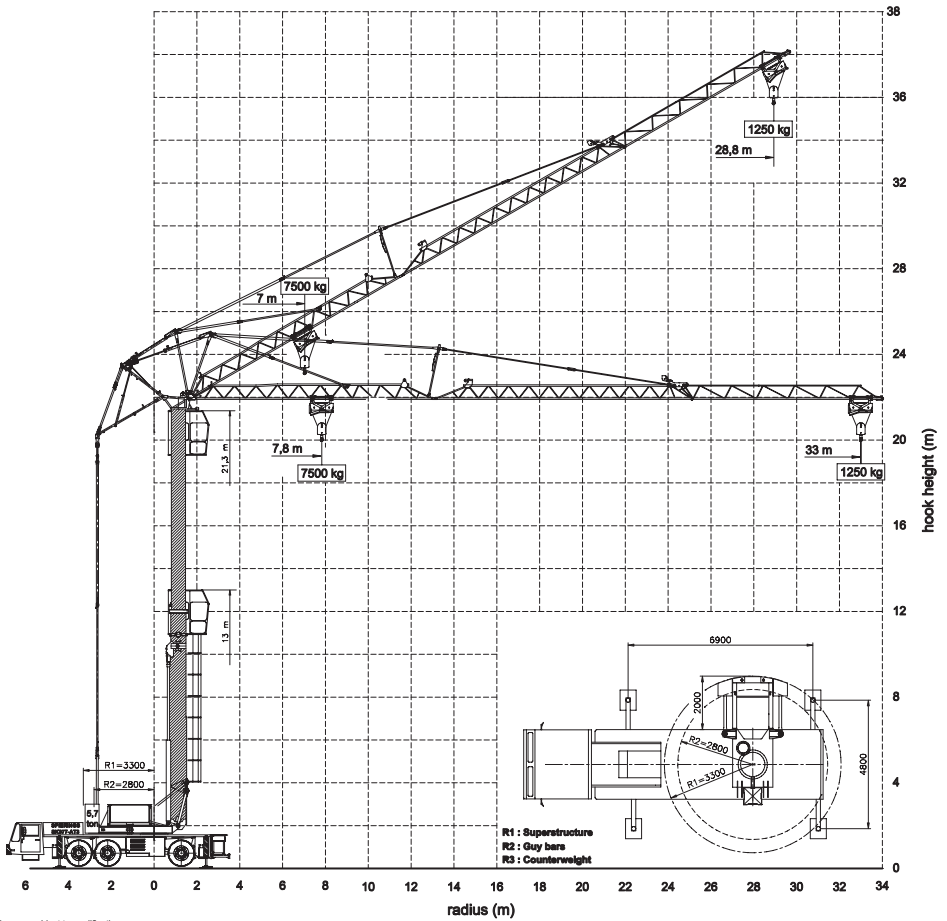
Jib 30° luffed	Hookheight (m)										Hookheight (m)
24,8	27,7	30,6	33,5	35,7							
3,5	7	10	15	20	25	28,8					
7500	5375	4170	3385	2835	2430	2115	1870	1665	1500	1380	1250
	6280	4670	3740	3090	2620	2285	1985	1765	1550	1425	1295

82-00377101



Changes subject to modifications





Changes subject to modifications

EDINS
08-36 96 00

Spierings
SK 377-AT3

SJÄLVRESANDE
MOBILKRANAR

